

Antenna Feeder Line Datasheet

Overview

Description

Antenna Feeder Line cable for **WisGate Edge Prime and Max (RAK7240/7249)**. This Feeder Line cable allows you to better positioning the gateway antennas for optimal coverage. You can choose between 1.5 m, 3 m, and 5 m cable length.

Features

- Length variants: 1.5 m, 3 m, & 5 m
- Connector: N-type female to N-type male
- Frequency Range: 0~3 GHz
- Cable type: LMR195
- VSWR: ≤ 1.5



Figure 1: Antenna Feeder Line Overview

Specifications

Feature	Specifications
Model	Feeder Line Cable
Frequency range	0~3 GHz
VSWR	≤ 1.5
Length	3 meters; 5 meters
Cable type	LMR195
Impedance	50 Ohms
Color	Black
Connector type	N-type female to N-type male

Feature	Specifications
Operation temperature (°C)	-40° C ~ +85° C
Humidity range	5%~95%

Signal Loss Report

Frequency	3-m length	5-m length
1 GHz	-1.27 dB	-1.99 dB
2 GHz	-1.83 dB	-2.89 dB
3 GHz	-2.31 dB	-3.75 dB

Mechanical Characteristics

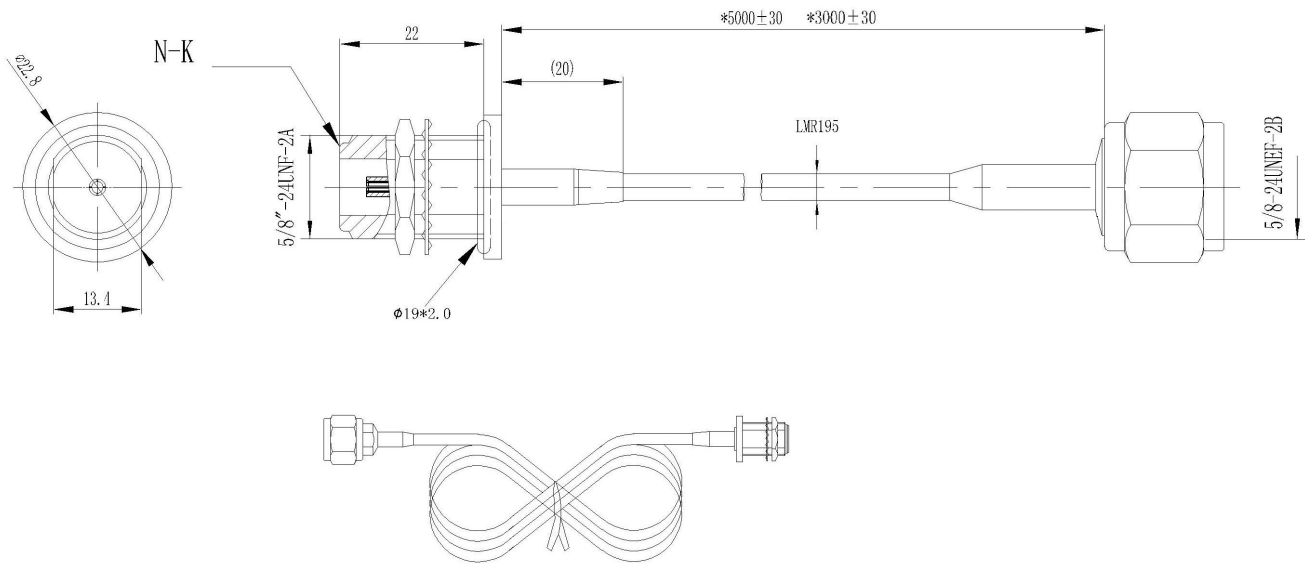


Figure 2: Antenna Feeder Line Mechanical Dimensions